

*Ch. H. Kubbinga B.V.
Parallelweg 25, 1131 DM Volendam
Netherlands*

Tel: 0031-(0)299-410000, Fax: 0031-(0)299-410009

E-mail: international@kubbinga.nl

www.e-and-l-cycles.com/yipeeh.com/Volare-bicycles.com



1. ASSEMBLY INSTRUCTIONS

This assembly manual concerns indications for a correct execution and for the maintenance of this new scooter. (Read this manual before you assemble and use this article). Adult assembly is required. Keep this manual for future reference. If you have problems or questions please go to a bicycle service shop. When you Remove/pull the black protection pads on the front and rear axles, look first if you Do not take away a screw inside this pad before throwing away.

Have a good time with this scooter.

- 2.** Adult supervision is required. Draw attention to your child concerning possible danger. The scooter contents to the established European norm EN 71. A responsibility of the manufacturer is out of the question by imprudent use of the scooter by your child.
- 3.** It is required by use of this scooter to wear practical clothes and closed shoes. E & L Cycles advise to wear a helmet. The helmets be found in our assortment (www.e-and-l-cycles.com). This scooter can not be used for sporting use (by example jumping etc.) This scooter is not fit for inclines, sloped driveways or for steps. Keep your child out of the reach of all kinds of waters like ditches, lakes, swimming pools etc.
- 4.** The scooter may not be used on the public road.
- 5.** Recommendation: be sure that the carrier is tied. Transformations at the carrier afterwards are forbidden. For the driving safety, do not use the carrier for heavy things, for attaching a supporter (EN 14687) or as an infant carrier. The loading capacity of this scooter contains max. 20 kg. The carrier is only maid for a weight of maximum 20 kg. We recommend to transport only goods on the carrier. Pay attention to the measurements of the carrier (Influence of the driving ability). Do not cover the rear reflector/rear light. Use for transport of goods the carrier straps. Check during the driving if the carrier is tied fast.

6. Put into operation:

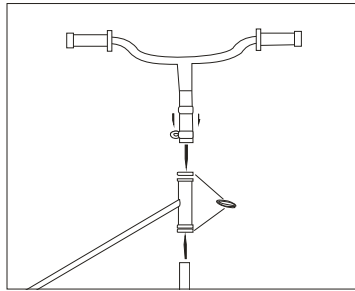
Take the scooter out of the packing and collect all of the parts. Check if all the parts are available.

Keep the manual.

ASSEMBLY ONLY ALLOWED BY AN ADULT.

7. Assembly handlebar and handlebar pen:

Insert the handlebar and the front fork in the head tube. Watch the safety marks on the pen. Adjust the handlebar at the correct height and tighten the handlebar clamp.

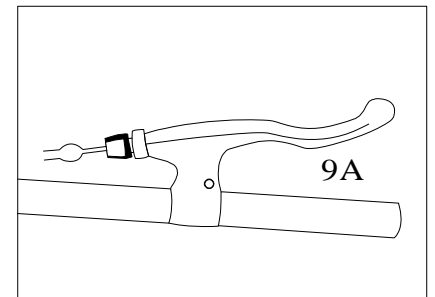


8. Brakes:

1 x handbrake frontwheel and back footbrake on the rear wheel. By back pedalling the brake working will be operative.

9. Assembly/adjustment of the handbrakes (Fig. A –B):

The handbrake is pre-assembled. Check if the brake-blocks are touching the rim when you brake. If necessary (re)adjust. Check if the brake is working according the instructions. If the margin in the handbrake is too large, than rotate the brake cable nut by the handle (Fig. 9A). Squeeze the brake and check if both of the brake blocks are touching the rim. If they do not, than, unscrew the inner cable nut, put the brake blocks with your hand against the rim, draw with the other hand the inner cable tighter and rotate the inner cable nut again. (Fig. 9B).

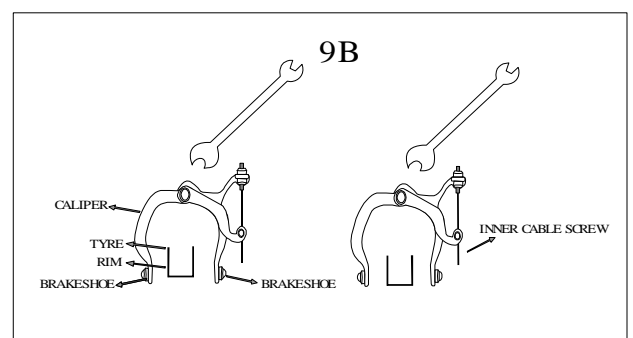


INDICATION:

If additional brake adjusting is required you can bring the brake rubbers closer to the wheel rim by turning the adjusting screw counter-clockwise.

Be sure the cable is locked securely through the anchor bolt (Fig. A.)

Reset the cable adjuster lock nut when adjustment is final.



WARNING:

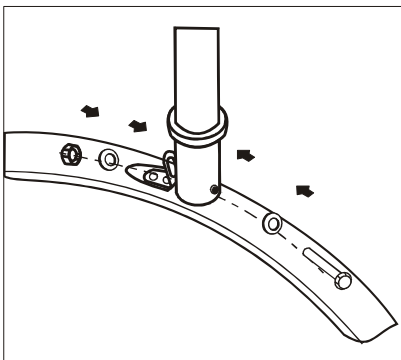
If you have problems with the adjustment, please do not use the scooter and have the brake repaired or adjusted at a bicycle service shop.

10. Cantilever brakes or V-brakes.

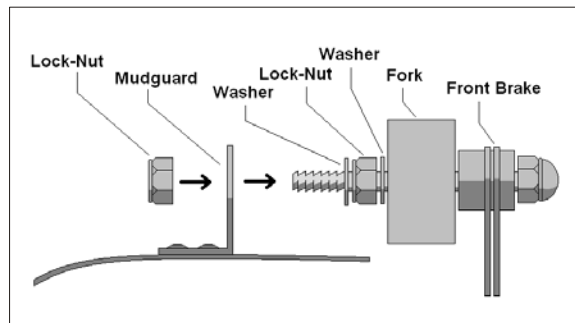
The brake shoe/brake block by the V-brake/Cantilever brakes have to run parallel with the rim. The distance between the brake blocks and the rim must be 2-3 mm. You can adjust this distance by unscrewing the locknut. When the brake shoe/brake block can not be adjusted with this locknut and the shoe/block is not yet wore out, than it is possible to adjust the brake block straight to the brake or rim. Than first turn back the locknut at the brake grip for having the possibility to adjust this later again. Than release the nut at the reverse side of the shoe/block and slide the block closer to the rim. Screw down the nut very tight. Pay attention that the left and the right brake shoe/brake block are adjusted at the same distance of the rim. Important is, that the brake shoe/brake block is adjusted that high that during the brake, the brake shoe/brake block not become under the rim. For further information, see our pictures.



11. Front fender assembly.



Bike equipped with canti brake or V brake



Bike equipped with caliper

1. Remove the nut washer and bolt, of caliper the front fender to the fork steerer tube
2. Ensure fixing nut is tightened sufficiently. enough to eliminate rotation of mudguards
3. Periodically check tightness of the fixing

12. Lighting.

If you ride at night, you have to put on the headlight and rear-light, but sometimes also by day, if the sight will be obstructed, like with twilight or fog. The lights must always be clearly visible. If you do not have lights on your cycle, than you never may ride at the public road.

13. Lubricant.

Bearings of naves, head tube and pedal axle are already greased in the factory and we advise you to grease these regular. To grease these bearings, the parts have to be dismantled. This better can be done by a bicycle service shop. This also applies to the chain or the navelining and brake cable directions.

14. Warranty.

It contains the legal warranty. Damages, which are created by wrong requirements, force, insufficient maintenance or by normal wastage, are locked out of warranty.

15. Recommendations:

Check your scooter regular on any damages, wastage or released parts. You have to hold the sides of the rims fat free.

1. Check the pressure of the tires regular.
2. Pay attention that your child is wearing closed shoes when it is cycling.
3. Pay attention, that your child is wearing always a helmet when it is cycling.
4. If you can not repair the scooter by yourself, please go to a cycle service shop.
5. Parts which are attached by you out of the way or changements which are placed to the cycle (in particular to the brake installations) are changing the driving-properties and this can be dangerous.
6. Use only original parts when you are repairing the scooter.
7. Warranty: 2 year, only on the frame.

Summary of screw parts of the cycle:

	Norm NM	Norm lbf.in
Axle nut in front	22 – 25	195 – 220
Axle nut at the back	25 - 29	220 - 225
Foreforkbolts	15 – 17	10 - 150
Handlebar screw	16 - 18	140 – 160

We have worked with full devotion to deliver a product of high quality. We hope that this product is good for the physical condition and joy of your child. Only if the child is learning to control the cycle and when the cycle does not control the child, than we have gained our object.

E&L Cycles has a complete assortment for children from 2 until 14 years old in modern colours and trendy styles. You can visit also our website: www.e-and-l-cycles.com

Ch. H. Kubbinga B.V., Parallelweg 25, 1131 DM Volendam, Nederland. E-mail: e&l@kubbinga.nl.

